

## MAGNET S20 pH RX

- MAGNET S20 pH RX is a polyvalent and configurable pump with **regulator** to measure either the pH or the redox.
- Measuring ranges :
  - pH from 0 to 14 pH
  - rédox from 0 to 1000 mV
- Dosing is **proportional** to the treatment product demand
- The pump has an input to receive a level probe (probe upon request) and a manual drain on the pump
- Some models are equipped with a **noise reduction** system (see table below)



TECHNICAL CHARACTERISTICS								
Type	Max flow	Max press	Max imp/min	Dosed by imp.	Suction heigh	Std. power supply	Ener.	Net weight
	l/h	bar		ml	m	Volts - Hz	Watts	Kg
2 - 3*	2	3	120	1,11	1,5	230 V 50-60 Hz	58	2,9
8 - 3*	8	3	120	1,67	1,5	230 V 50-60 Hz	58	2,9
12 - 3	12	3	120	2,22	1,5	230 V 50-60 Hz	58	2,9

\*Quiet pump equipped with a noise reduction system

- **Comes with :**
  - 1 injection valve G1/2"
  - 1 foot filter
  - 1 PVC tube of 4m transparent for suction / boot
  - 1 PE tube of 2m white to repression
  - 1 instruction manual
- **Standard materials :**
  - Pump head : PP (upon request PVDF, PVC)
  - Membrane : Téflon
  - Garnitures : FPM (Viton<sup>®</sup>) (upon request EPDM (Dutral<sup>®</sup>))
  - Valves : lip valve (upon request ceramic or glass ball valves)
- **Applications :**

PANGNET S20 pH RX was specially designed to maintain the state thus oxidizing disinfecting some water and the value of the pH wished in the private and public swimming pools.

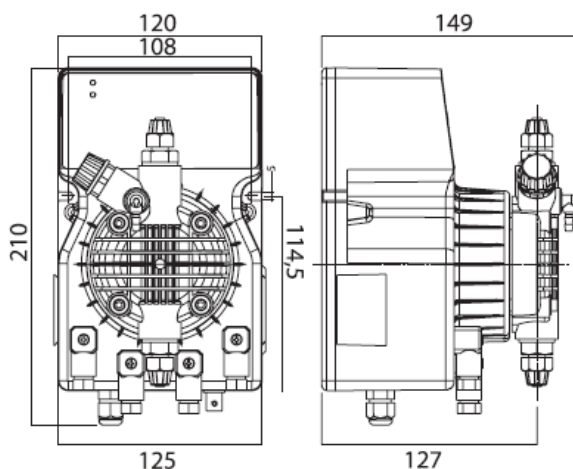
The couple pH / redox is the economic and strong solution to manage the sanitary parameters in a private or public swimming pool.

This type of measure redox works well for rates of stabilizer until 15 ppm

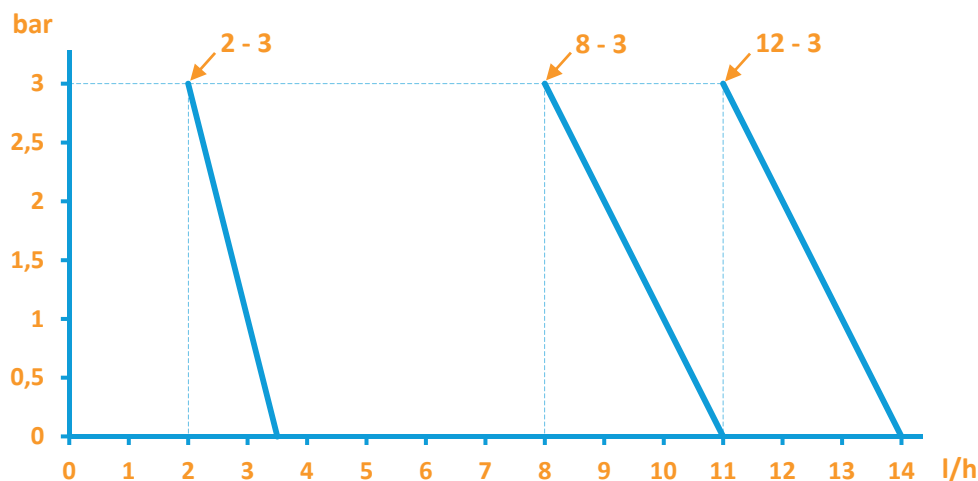


Telm. 962444011

• Dimensions :



• Flow rate vs Pressure Diagram :



**Cascais Piscinas e Spas - Mergulho Salgado Piscinas e Spas, Lda**  
Apartado 2457 EC Cascais 2751-706 Cascais Telem.: 962 444 011 - Tel. / Fax. 21 607 5598  
[geral@mergulhosalgado.com](mailto:geral@mergulhosalgado.com)  
[www.mergulhosalgado.com](http://www.mergulhosalgado.com) [www.cascaispiscinasespas.com](http://www.cascaispiscinasespas.com)

Viton<sup>®</sup> and Dutral<sup>®</sup> trademark by Dupont Elastomère.

All the information and recommendations which figure on this document concerning the use of the described products are based on rigorous and reliable tests. However, it is the responsibility of the user to ensure that these products are consistent with his needs. The use of these products by third parties without our control will not lead to any warranty. The information contained in this document are incomplete, this is why further information might be required in case of particular or exceptional conditions or because of specific laws or regulations.