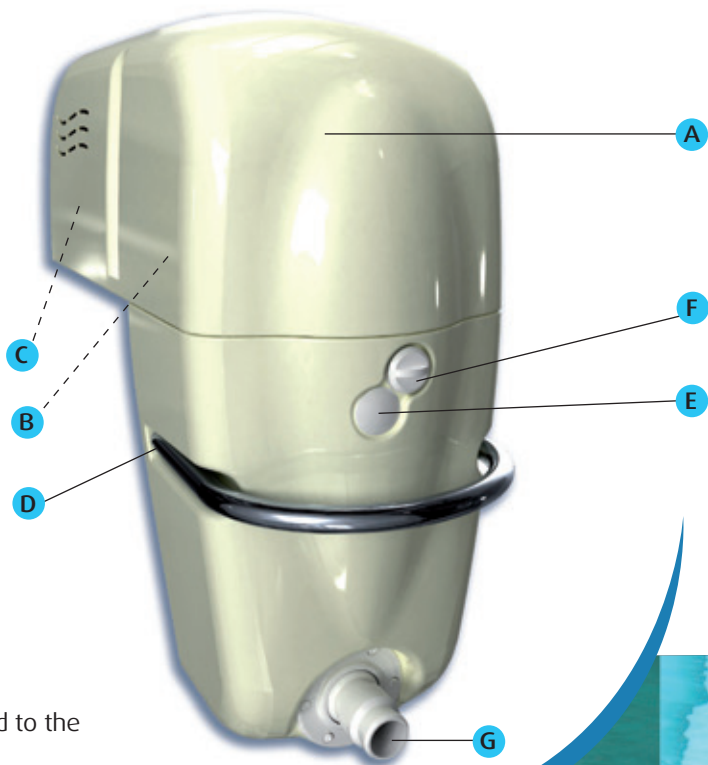


Reference product : JET LUXE

Three adapted products depending your wishes :

- JL30
- JL50
- JL70

Jet Luxe» range : Swim counter-current adapted to your wishes and your needs.



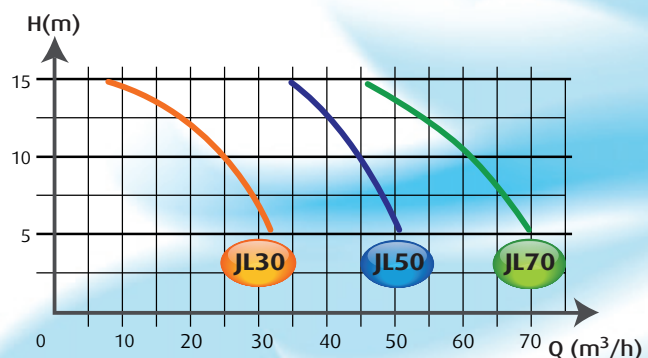
Standard equipment

- A** Cover equiped of mechanic safety (screws) and electrical security
- B** Cabled electrical box
- C** Swim counter-current pump
- D** Stainless handle (for handling and being hold to the unit)
- E** «Push button» for start the unit
- F** Balneotherapy (Air flow rate adjustment for massage functions)
- G** Directional heavy flow rate



Technical characteristics of filtration unit

	Baby Jet Luxe	Jet Luxe	Maxi Jet Luxe
Power of the pump	1,1 kW	2,2 kW	2,2 kW
Flow rate	30 m ³ /h	50 m ³ /h	70 m ³ /h
Diameter tube	32	32	40
Equipment	Massage hose in option	Massage hose in option	Massage hose in option
Shell	ABS-PMMA	ABS-PMMA	ABS-PMMA



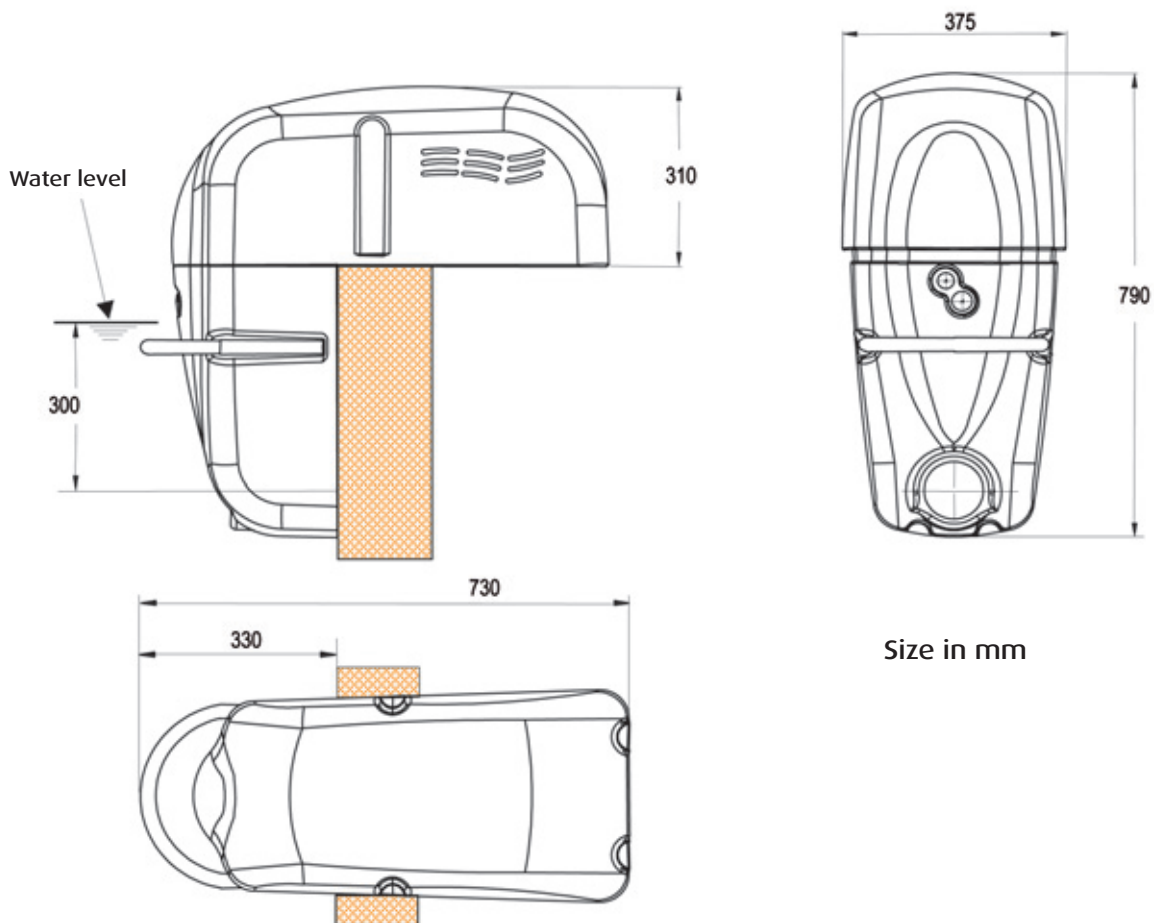
NEW

Cascais Piscinas e Spas



Telm. 962444011

Side plan of the JL range



General diagramm of JET LUXE

